

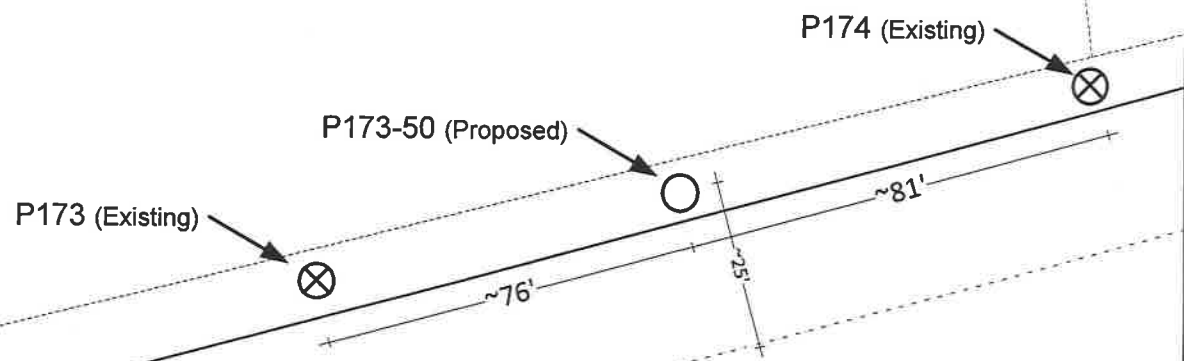
PETITION SKETCH
TOWN OF REHOBOTH
BRISTOL COUNTY



Legend	
X	Proposed SO Pole
○	Proposed JO Pole
⊗	Existing SO Pole
⊗	Existing JO Pole
---	Center Line
---	Property Line
⌒	Install Anchor

570 WINTHROP ST

BLANDING RD



The exact location of said facilities to be established by and upon the installation and erection of the facilities thereof.

WINTHROP ST

nationalgrid				
Petition Sketch for Installation of Pole 173-50 Winthrop St, Rehoboth, MA WR# 29469844				
Not To Scale Distances are Approximate	Drawn By: EMF	Sketch # 29469844	DATE 2/02/2020	SHEET 1 OF 1